



Push-Button Switches

Specialty Series J-188

Hi-Low, Pre-Load, & Stable-On Function

"Since 1975... serving the automotive industry and over 2,000 OEM customers"

Hi-Low Switch

Specifications

Hi-Low (Two Position)

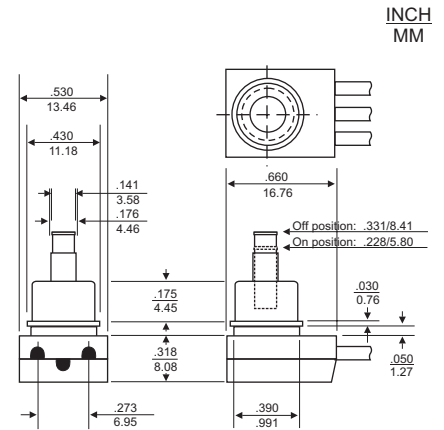
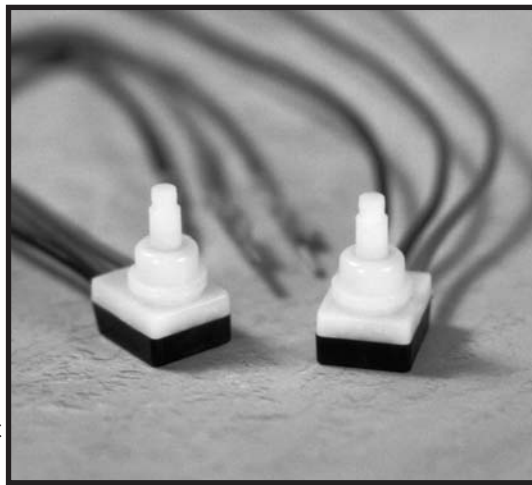
SPST (Single Pole, Single Throw)
SPDT (Single Pole, Double Throw)

Function: On-Off, On-On

Rating: 14 V DC, up to 2A

Leads: Wire, Female/Male Terminals

Design: Stable On feature: circuit changes state only on up stroke of plunger. Plunger comes to rest at 2 distinct positions after each actuation. Available in short or tall body.



Dimensions given for approximate size only. Contact factory for specific applications and panel hole sizes.

Pre-Load Switch

Specifications

Pre-Load

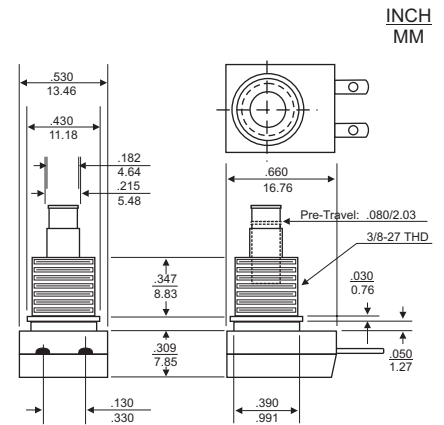
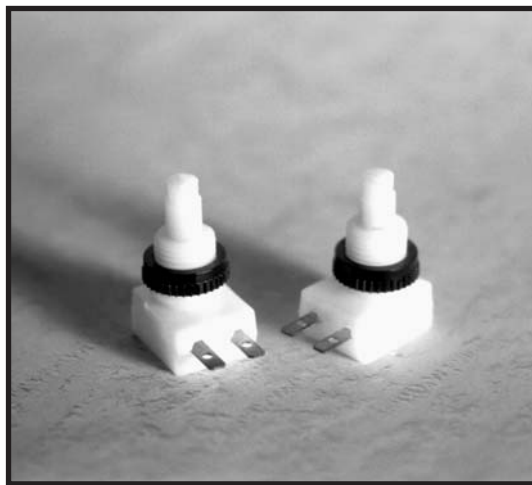
SPST (Single Pole, Single Throw)
SPDT (Single pole, Double Throw)

Function: On-Off, On-On

Rating: 14 V DC, up to 10A*

Leads: Wire, Female/Male Terminals

Design: Allows for axial loading of plunger without affecting switch operation.



Dimensions given for approximate size only. Contact factory for specific applications and panel hole sizes.

Stable-On Switch

Specifications

Stable-On

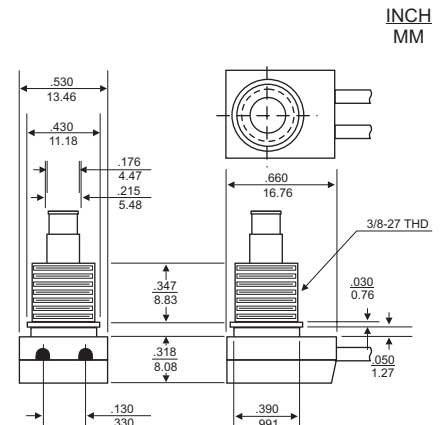
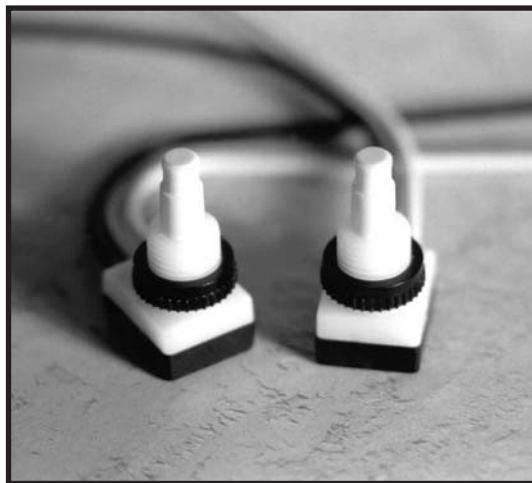
SPST (Single Pole, Single Throw)
SPDT (Single Pole, Double Throw)

Function: On-Off, On-On

Rating: 14 V DC, up to 2A

Leads: Wire, Female/Male Terminals

Design: Stable On feature: circuit changes state only on up stroke of plunger. Available in short or tall body.



Dimensions given for approximate size only. Contact factory for specific applications and panel hole sizes.